

Mobile Off-Highway



Solving Your Motion Control Challenges With Ingenuity

Evolution Motion Solutions is a leading engineering partner, systems integrator, and value-add distributor of advanced hydraulic, electromechanical, pneumatic, and automation technologies.

For over 80 years, our innovative solutions have been built on a foundation of technical excellence and industry-leading components designed for factory automation, heavy industrial, and mobile/off-highway applications.

We may not manufacture our customers' systems and machines, but we do help them run more efficiently and reliably by optimizing production time and enhancing performance.



Mobile/Off-Highway

Evolution Motion Solutions provides technical expertise and resources to supply integrated solutions for actuation, optimization, propulsion, and electrification technologies for mobile/off-highway applications. With unparalleled experience in mobile product application and value-added distribution, Evolution is your trusted engineering partner for system and subsystem integration, conceptualization, production, installation, and support.



Heavy Industrial

Evolution Motion Solutions Heavy Industrial encompasses everything required to design, build, maintain, and optimize hydraulic systems. We provide a wide array of value-added services that include locally-performed certified repairs and industry-leading hands-on training. With over 80 years of industry experience and technical expertise in hydraulics, electronics, drives, and controls, we inspire customers to do more than they ever thought possible.



Factory Automation

Evolution Motion Solutions provides integrated engineering solutions, expertise, and resources for automation, controls, pneumatic, electrical, hydraulic, sensing, joining, dispensing, and lubrication applications. With over 80 years of unparalleled experience in industrial product application, Evolution is your expert engineering partner for system and subsystem integration and value-added distribution, from initial concept and product to development and support.



LEARN



THINK



PLAN



INTEGRATE



DESIGN



SUPPORT



SOURCE



TEST



BUILD

Complete Life-Cycle Support

One Team. Infinite Solutions.

Driven by a passion for innovative technology and conquering challenges, we develop solutions that keep our customers moving toward the future. From concept to completion, we provide exceptional customer service deeply rooted in our Commitment to Excellence.

- Solutions Based Engineering
- Design Engineering for Hydraulics, Pneumatics, Lubrication, & Mechanical Solutions
- Machine Control Design Experience
- Hardware & Software Design
- Concept & Process Engineering
- System Integration Solutions
- Subsystem Efficiency Solutions
- Modification of Machines to U.S. Standards & Specifications
- Quality Assurance According to ISO 9001:2015 & AS 9100D
- Designs & Capabilities According to U.S. & European Standards NFPA, UL, CE

Elements of Success

From our beginnings as a trusted resource for premier components, we have evolved into Evolution Motion Solutions, an engineering partner, systems integrator, and value-add distributor (ESV).

As the world's first ESV, we provide our customers with highly engineered solutions for motion control tasks. By leveraging our group members' diverse industry experience and product knowledge, we engineer technically superior solutions with sustainable value.



We function as an extension of your engineering team. By delivering tailored solutions that address your specific needs, whether concept engineering, system expertise, or R&D, we ensure success and innovation at every step.

- Application Engineering
- Custom Products & Solutions Designs
- 3D Modeling & FEA Analysis
- Application & Technical Support
- Product & Machine Expertise
- Research & Development
- Product Launch Support



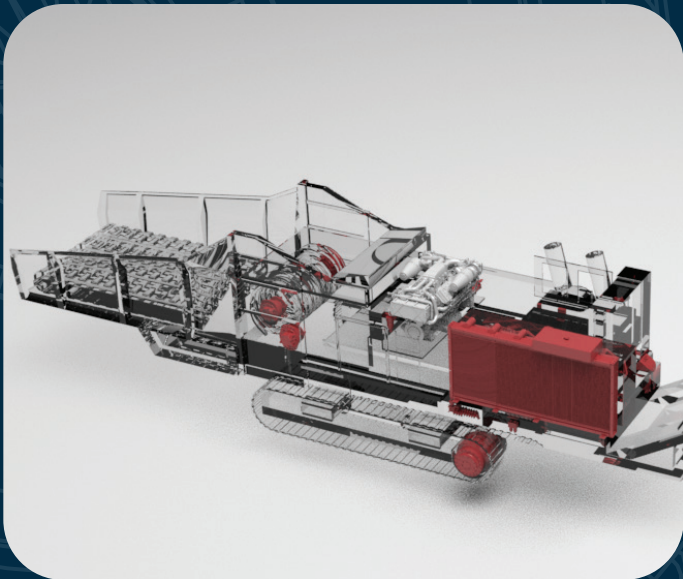
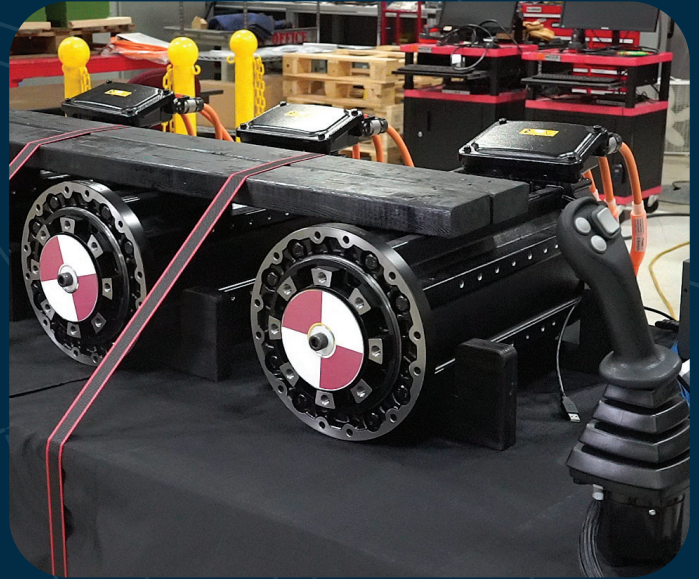
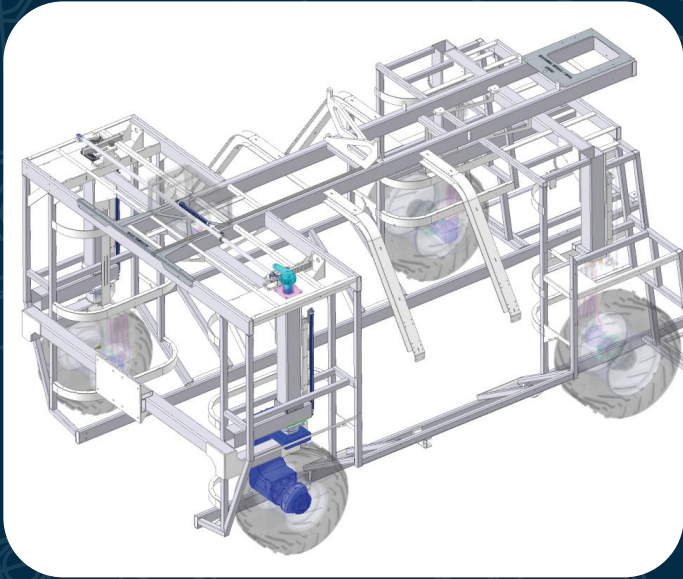
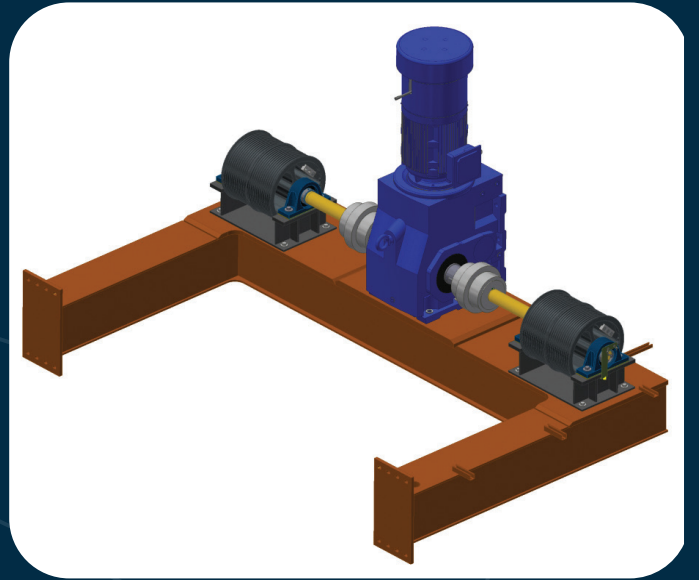
Our engineering expertise extends to integrating new and legacy systems, optimizing them for improved performance, reliability, and longevity by delivering application assistance, subsystem aggregates, and complete system solutions.

- Application Assistance
- Configured Assemblies
- Product Sizing & Selection
- Integrated Products
- Custom System Design & Manufacturing
- Subsystem Aggregates
- Complete System Solutions



We go beyond traditional distribution by offering value-added services such as 24/7 support, product kitting, and inventory management. We provide high-quality components and solutions that meet your needs—every time.

- 24/7 Support
- Customer Service
- Factory Trained Repair Technicians
- Inventory Management
- Configured Assemblies
- Product Kitting
- Product Support
- Service Technicians
- Training
- Advanced Product Training





Expert Conceptual Engineered Solutions

The Motioneers are a team of dedicated engineers who create custom conceptual engineering motion control solutions for mobile applications. Serving as an extension of your engineering team, the Motioneers collaboratively partner with you to learn and understand your application's requirements and specifications so they can create the most efficient system design solution. By partnering with the Motioneers, you gain a team of expert mechanical, electrical, and controls engineers who provide concept engineering solutions for many technologies, applications, and industries - at no additional cost.

Technologies

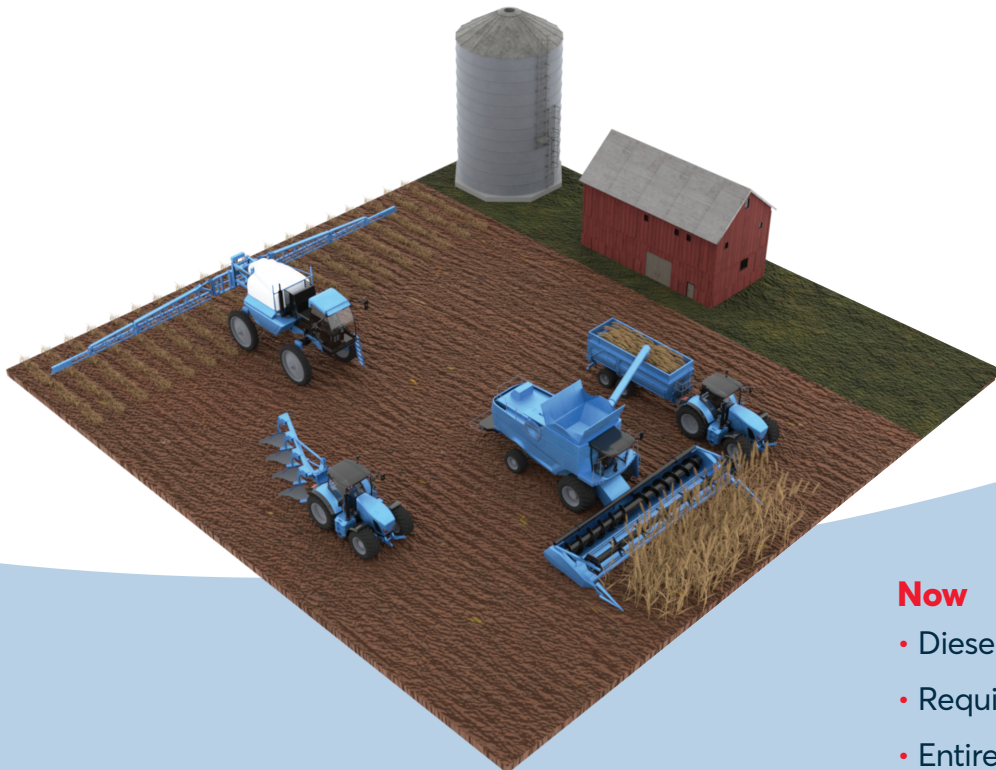
- Propulsion
- Actuation
- Optimization
- Electrification

Industries

- Agriculture
- Construction
- Energy
- Material Handling
- Mining
- Municipal Machines
- Waste Management

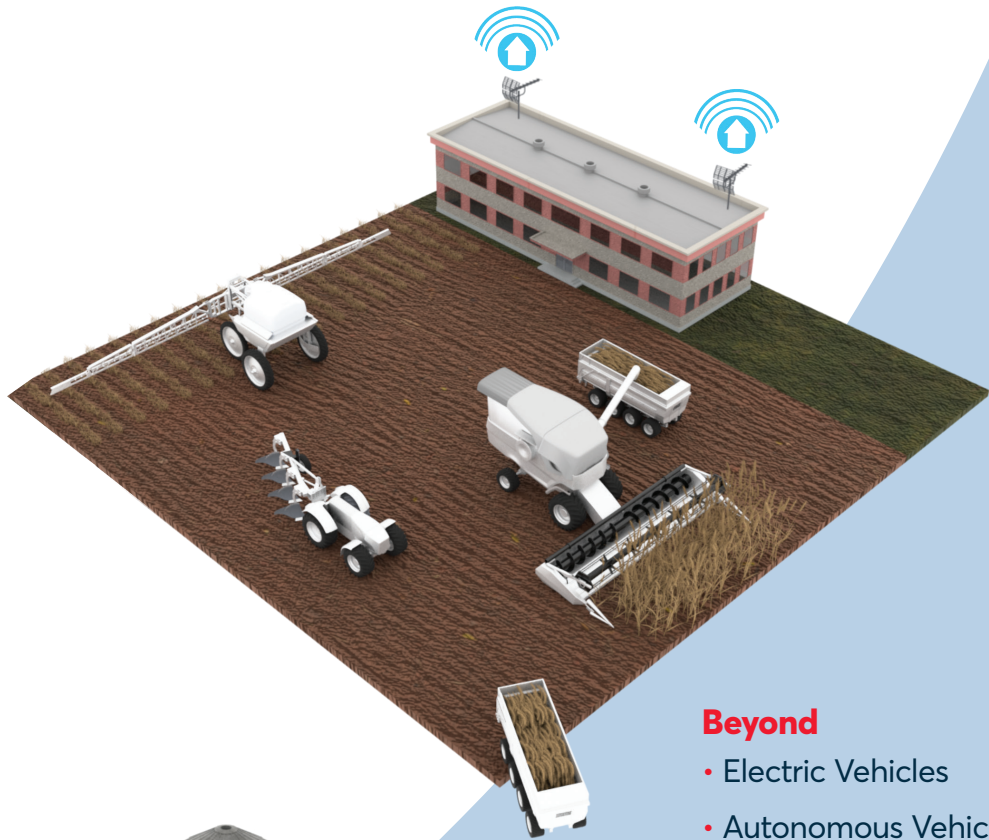
Innovation That Keeps You Moving

OEMs and machine manufacturers increasingly demand mobile working machines that are more productive, safe, flexible, and energy efficient. Evolution Motion Solutions Mobile business unit is equipped to support those machines throughout and beyond the Industry 4.0 revolution.



Now

- Diesel Vehicles
- Require Skilled Drivers
- Entirely Manual Processes



Beyond

- Electric Vehicles
- Autonomous Vehicles
- Controlled via Cloud Computing
- Hydrogen Powered Vehicles



Next

- Diesel Vehicles
- Semi-Manual Processes
- Controlled On-Site
- Electric Vehicles
- Telematics
- Advanced Sensor Technology

Propulsion Solutions

For your propulsion needs, Evolution Motion Solutions calculates gradeability, traction control, speed, and torque performance to design optimized systems – always with full engineering performance design and safety in mind.

Variable Displacement Pumps

Variable Displacement Motors

Gear Pumps and Motors





Propulsion



Propulsion Solutions

Our propulsion solutions support 2- and 4-wheel drive coordination and anti-slip traction control in any condition, which help us meet end-user demands for reproducible and smooth driving behavior with and without load. We can also accomplish horsepower limiting and support off-road cruise control with our reliable components and turnkey solutions.

Planetary Gear Drives

Steering Orbitals

Foot Pedals

Electric Drive Packages

Gearboxes

Joysticks





Propulsion

Actuation Solutions

Actuation solutions from Evolution Motion Solutions help you meet the challenges of today's markets as you gain access and control over the power, safety, and efficiency of your mobile machines. Rely on our tools to configure custom, standard, and combination valve packages, ensuring accurate repeatability of automatic and control functions.

Control Valves

- Sectional Control Valves
- Integrated Cartridge Valves
- Proportional Valves
- On/Off Valves

Manifold Assemblies

- Custom
- Bankable

Cylinders

- Hydraulic
- Pneumatic
- Electric





Actuation

Actuation Solutions

Let Evolution Motion Solutions' advanced technology and cutting-edge engineering solutions improve the efficiency, versatility, and performance of your next-generation machines. By coordinating components to meet optimum standards, our systems improve handling and increase precision in daily operations.

Motors

- Fixed Displacement
- Low-Speed, High-Torque
- Variable Displacement

Planetary Gear Drives

- Slew Drives
- Slew Bearings
- Swing Drives
- Winch Drives

Compact Power Units

Joysticks

- CAN Bus
- Electric
- Manual





Actuation

Optimization Solutions

Save time and money as our optimized solutions help to increase your system's longevity, prevent damage, and reduce downtime. Evolution Motion Solutions adjusts to ever-changing industry standards and provides optimal solutions no matter your need – driving or working, hydraulic, hybrid or fully electric – including Tier IV final and Stage V emissions standards while monitoring the development of Tier V standards.

Filtration

- Pressure
- Return Line
- Tank Mounted
- Suction
- Breather

Diesel Fuel Filtration

Cooling Systems

- Engine Combi Coolers
- Hydraulic
- Heat Exchangers

Accumulators

- Bladder
- Diaphragm
- Piston

Reservoir Optimization

- Air Separation
- Reduced Oil Capacity
- Tank Size Reduction

Engine Flywheel Couplings

Fan Drive Packages

- Electric
- Engine Driven
- Hydraulic

Fluid Care

- Particle Counting
- Oil Life Prediction
- Water Content Measurement

Lubrication

- Automatic
- Manual

Mounting Accessories

- Clamps
- Band Straps





Optimization

Electrification Solutions

Our electric, electronic, and digitally networked solutions offer innovative and comprehensive monitoring, service, and control concepts to help satisfy your constant and growing demands for operational availability, reduction in downtime, and detailed load and service management. Evolution Motion Solutions can help you create your next generation of mobile machines with performances that give you access to increased power, safety, efficiency, and intelligence.

Controllers

Displays

- HMIs

Electric Ground Drives

Low-Voltage Electrification

High-Voltage Electrification

Radio Remote Controls

Sensors

- Angle
- Distance
- Flow
- Position
- Pressure
- Proximity
- Safety
- Speed
- Temperature

Telematics

- Fleet Management

Diagnostics

Electric Cylinders

Electric Auxiliary Pump Drives

Foot Pedals

Joysticks

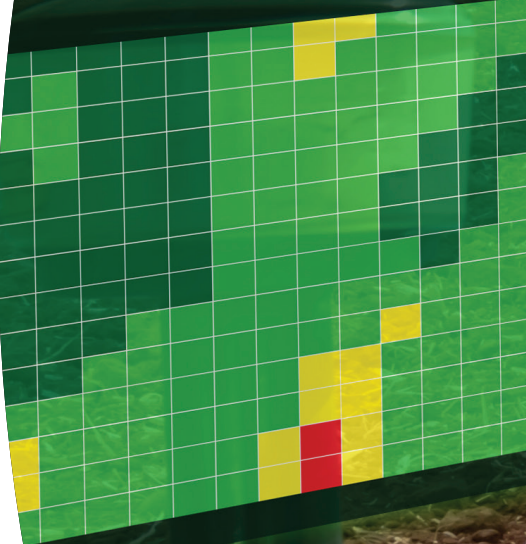
- Electronic
- Hydraulic

Vision Systems

- 3D
- Collision Avoidance



Nitrogen in Soil





Mobile Control Solutions

Evolution Motion Solutions is a leader in systems integration with the knowledge and expertise to deliver advanced custom control solutions for mobile and off-highway applications. With over three decades of experience designing and engineering systems, Evolution provides plug-and-play solutions customized to fit any mobile application need, from radio controls and relay logic to complex CAN Bus systems, SAE J1939-based controls, and wireless data communication networks.

Custom Engineering

Knowledgeable Tech Support

In-House Prototyping & Repair

Rugged & Durable Designs

Serviceable Products

Systems Integration

Designed & Manufactured in the USA





VACUUM CONTROLS

BLOWER OFF



BLOWER ON

VAC. RELIEF OPEN

VAC. RELIEF OPEN

VAC. ENHANCER OPEN

BLOWER OFF

VAC. RELIEF CLOSE

VAC. ENHANCER CLOSE

AUX. LIGHTING CONTROLS

BOOM WORK LIGHTS ON

WORK LIGHTS ON

INTERIOR WORK LIGHTS ON

BOOM WORK LIGHTS OFF

WORK LIGHTS OFF

INTERIOR WORK LIGHTS OFF

BOOM UP

BOOM LEFT

BOOM IN

BOOM DOWN

BOOM RIGHT

BOOM OUT

TANK CONTROLS

TRASH PUMP ON

VIBRATOR ON

TANK UNLOCK

TRASH PUMP OFF

TANK UP

TANK LOCK

DOOR OPEN

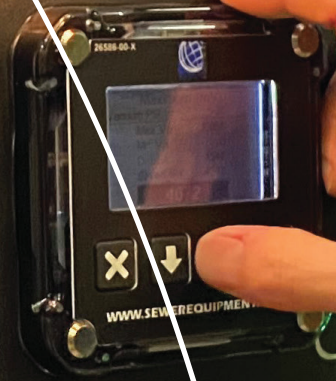
TANK DOWN

TANK UNLOCK

DOOR CLOSE

TANK DOWN

SYSTEM CONTROLS



WORK MODE

THROTTLE ON

THROTTLE UP

ROAD MODE

THROTTLE OFF

THROTTLE DOWN



MULTI-FLOW PUMP CONTROL

ALARM ON

HYD.



EMERGENCY STOP



WAR



Propulsion

Variable Displacement Pumps

Variable Displacement Motors

Gear Pumps and Motors

Planetary Gear Drives

Steering Orbitals

Foot Pedals

Electric Drive Packages

Gearboxes

Joysticks

Actuation

Control Valves

Sectional Control Valves

Integrated Cartridge Valves

Proportional Valves

On/Off Valves

Manifold Assemblies

Custom

Bankable

Cylinders

Hydraulic

Pneumatic

Electric

Motors

Fixed Displacement

Low-Speed, High-Torque

Variable Displacement

Planetary Gear Drives

Slew Drives

Slew Bearings

Swing Drives

Winch Drives

Compact Power Units

Valves

Electric

CAN Bus

Manual

Optimization

Filtration

- Pressure
- Return Line
- Tank Mounted
- Suction
- Breather

Diesel Fuel Filtration

Cooling Systems

- Engine Combi Coolers
- Hydraulic
- Heat Exchangers

Accumulators

- Bladder
- Diaphragm
- Piston

Reservoir Optimization

- Air Separation
- Reduced Oil Capacity
- Tank Size Reduction

Engine Flywheel Couplings

Fan Drive Packages

- Electric
- Engine Driven
- Hydraulic

Fluid Care

- Particle Counting
- Oil Life Prediction
- Water Content Measurement

Lubrication

- Automatic
- Manual

Mounting Accessories

- Clamps
- Band Strips

Electrification

Controllers

Displays

- HMI's

Electric Ground Drives

Low-Voltage Electrification

High-Voltage Electrification

Radio Remote Controls

Sensors

- Angle
- Distance
- Flow
- Position
- Pressure
- Proximity
- Safety
- Speed
- Temperature

Telematics

- Fleet Management

Diagnostics

Electric Cylinders

Electric Auxiliary Pump Drives

Foot Pedals

Joysticks

- Electronic
- Hydraulic

Vision Systems

- 3D
- Collision Avoidance

Mobile Controls

Custom Engineering

Knowledgeable Tech Support

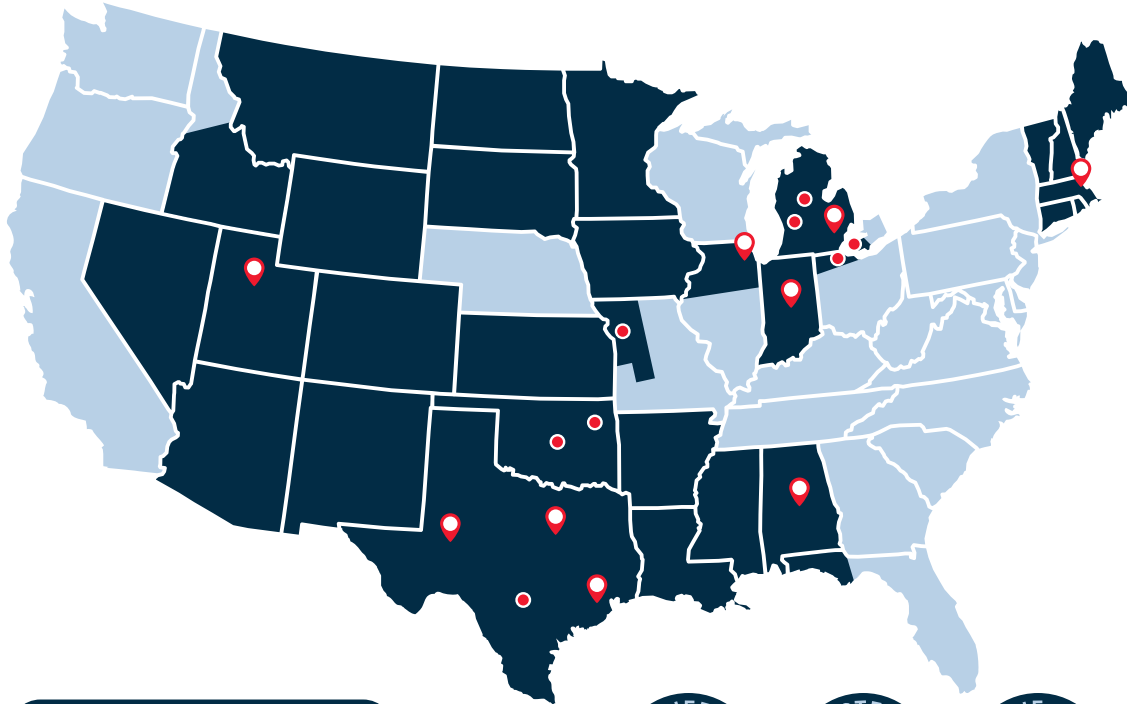
In-House Prototyping & Repair

Rugged & Durable Designs

Serviceable Products

Systems Integration

Designed & Manufactured in the USA



 **Warehouse & Sales**
 **Sales Offices**



Head Office

13835 Senlac Dr. Farmers Branch, TX 75234 (800) 569-9800

Local Offices

ALABAMA

511 Mineral Trace,
Suite 100
Hoover, AL 35244
(205) 417-4177

ILLINOIS

340 Windy Point Dr.
Glendale Heights, IL 60139
(630) 858-4600

INDIANA

9589 E. 153rd Street
Noblesville, IN 46060
(317) 849-7007

MASSACHUSETTS

90 Research Dr.
Wilmington, MA 01887
(248) 373-1600

MICHIGAN

3333 Bald Mountain Rd
Auburn Hills, MI 48326
(248) 373-1600

408 Broadway Ave NW, Suite C
Grand Rapids, MI 49504
(616) 583-9390

7131 W. Drew Rd
Weidman, MI 48893
(866) 644-8622

MISSOURI

171 English Landing Dr.
Suite 230
Parkville, MO 64162
(800) 569-9800

OHIO

1705 Indian Wood Circle,
Suite 104,
Maumee, OH 43537
(419) 365-3111

OKLAHOMA

5114 S. 95th East Ave.
Tulsa, OK 74145
(800) 569-9800

3445 West Memorial Rd,
Suite J
Oklahoma City, OK 73134
(800) 569-9800

TEXAS

8707 Fallbrook Dr.
Houston, TX 77064
(800) 569-9807

1803 W. County Rd 114
Midland, TX 79706
(800) 569-9800

2090 N Interstate
35 Frontage Rd
Suite 4101
New Braunfels, TX 78130
(800) 569-9800

UTAH

5575 West 1730 S,
Suite 102
Salt Lake City, UT 84104
(801) 566-4333

CANADA

2775 Kew Dr.
Windsor, Ontario
Canada N8T3B7
(519) 944-3877